

Specialised Ergonomic Transport Seating

www.kabseating.com.au www.kabseating.com.au www.kabseating.com.au www.kabseating.com.au

Options

711	714	554	564	554B	2175	411	414	514	524	T1	T3	T4	T5	
o	o	o	o	o	o	o	o	o	o	o	o	o	o	Arm Rests
o	o	o	o	o	o	o	o	o	o	o	o	o	o	Headrest
o	o	o					o	o						Isolator UK
o	o	o	o	o	o		o	o						Isolator Plate
o	o	o	o	■	o	o	o	o	o	o	o	o	o	Seat Belt
o	o	o	o	o	o	o	o	o	o	o	o	o	o	Tether Straps (Pair)
o	o	o	o	■	o	o	o	o	o	o	o	o	o	Air Lumber (Option)
■	■	■	■		■	■	■	■	■	■	■	■	■	Mechanical Lumbar
o	o	o	o	o	o	o	o	o	o	o	o	o	o	Mounting Brackets

■ Standard
o Option

Vehicle and Industrial Seats

KAB Seating has built its international reputation on their state of the art suspension seating.

Fitted as standard equipment on many of the world's finest commercial, industrial and agricultural vehicles, KAB has a seat/suspension combination to suit your exact needs. With customers such as Mack, Caterpillar, Komatsu, Massey Ferguson, International, Volvo, Hitachi, Samsung and Kenworth, KAB continually strives for improved quality and performance.

With a 30 engineer strong design team based in our English manufacturing plant, KAB Seating systems employ over 800 staff, working together to continually set the benchmark in ergonomic suspension and office seating.

Australia has some of the world's toughest roads. KAB Australia has worked extensively with many of the country's top industrial vehicle manufacturers, to produce a range of seating products specific to the harsh Australian conditions. Back injuries cost Australian industry billions each year, if your seat is not performing contact KAB.

In Australia, KAB has eight regional Sales and Service locations, and an extensive dealer support network to ensure a high level of customer service.

KAB // Seating Systems

Head Office: PO Box 6106 Acacia Ridge BC QLD 4110

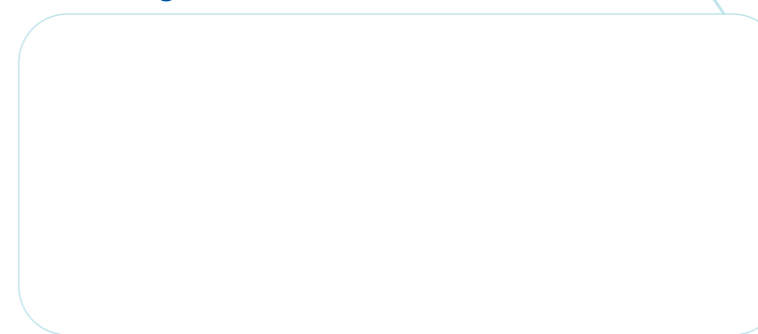
www.kabseating.com.au

Australia Wide 1300 130 522

New Zealand 0800 370 974



Your local agent is:



Specialised Ergonomic Transport Seating

ENTER THE COMFORT ZONE

Advanced ergonomics with state-of-the-art mechanical, air and comfort support systems



KAB PREFERRED
A smart way to do business.

Why not join today!



THE BENEFITS:

- Immediate additional discounts on all purchases, service and repairs;
- 24 Hour on-line access to the KAB Preferred section of our website with exclusive information and offers only for you;
- A range of on-going special KAB Preferred Customer Only offers and savings;
- Complimentary quarterly KAB Preferred magazine;
- Access to all benefits Australia wide and in New Zealand at any KAB branch or authorised dealer.

PLUS receive your special KAB Preferred Merchandise pack valued at \$120 which includes limited edition polo shirt, cap, sports sunglasses and cooler bag.

Simply apply at your nearest KAB Branch or authorised dealer or contact us Australia-wide on 1300 130 522 or online at www.kabseating.com.au



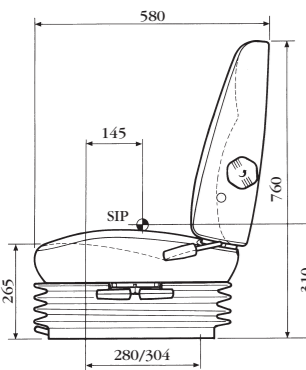
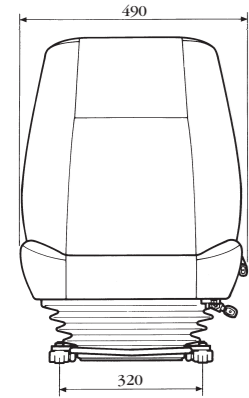
If you would like to undertake one of these educational programmes please visit the site at www.kabinstitute.com or call our toll free number 1300 130 522 to obtain a password.

SPECIALISED ERGONOMIC TRANSPORT SEATING

Seats pictured are fitted with optional extras

AIR

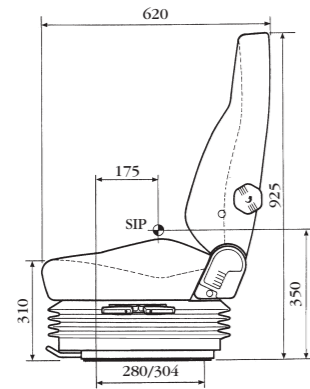
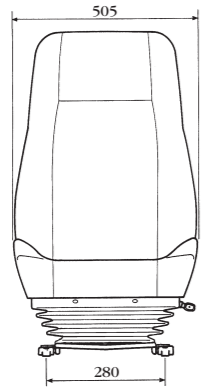
711



- FEATURES INCLUDE:**
- 5 position lumbar support
 - Fore and aft adjustment 160mm
 - Backrest angle adjustment
 - Automatic adjustment for driver, weight from 0-120kg
 - 60mm seat height and tilt adjustment
 - Suspension cover
 - Moulded body contoured cushions

AIR

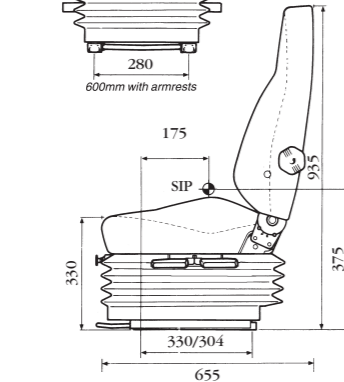
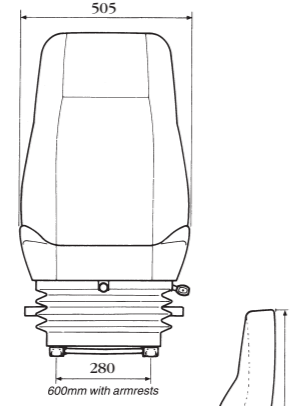
714



- FEATURES INCLUDE:**
- 5 position lumbar support
 - Fore and aft adjustment 160mm
 - Backrest angle adjustment
 - Automatic adjustment for driver, weight from 0-120kg
 - 60mm seat height and tilt adjustment
 - Suspension cover
 - Moulded body contoured cushions

AIR

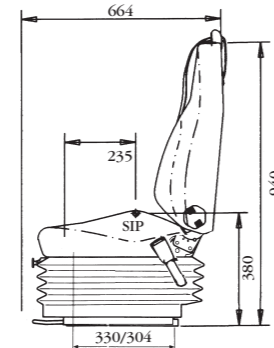
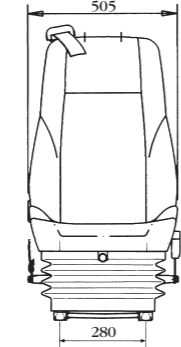
554/564



- FEATURES INCLUDE:**
- 5 position lumbar support
 - 200mm fore and aft adjustment
 - Backrest angle adjustment +65°/-70°
 - Manual adjustment for driver, weight from 0-150kg
 - 60mm seat height and tilt adjustment
 - 125mm air suspension stroke manual adjustment
 - Suspension cover
 - Moulded body contour cushions
 - 564 Heavy Duty has double dampers, heavy duty suspension, double-lock recliner, 100mm air suspension stroke, mains or 24v compressor

AIR

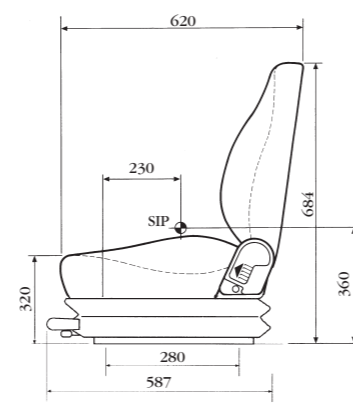
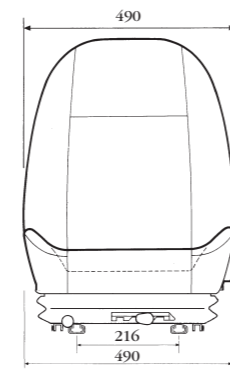
554B



- FEATURES INCLUDE:**
- Headrest
 - Pneumatic lumbar support
 - Backrest angle adjustment +65°/-70°
 - Auto adjustment for driver weight 0 - 150kg
 - 60mm seat height and tilt adjustment
 - 125mm vertical suspension stroke manual adjustment
 - 180mm fore and aft adjustment
 - Seatbelt available in both LHS and RHS fitment
 - Integrated lap/sash seatbelt
 - Suspension cover
 - Moulded body contoured cushions

MECHANICAL

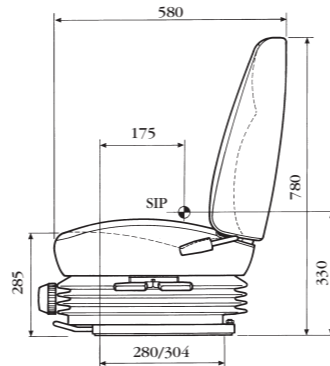
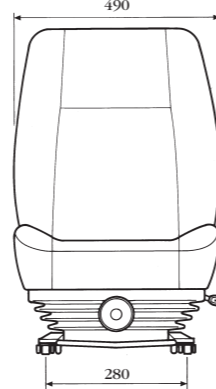
21-T5



- FEATURES INCLUDE:**
- 5 position lumbar support
 - 160mm fore and aft adjustment
 - Backrest angle adjustment
 - Adjustment for driver, weight from 50-120kg
 - Low profile suspension
 - 50mm vertical suspension stroke
 - Suspension cover
 - Moulded body contoured cushions

MECHANICAL

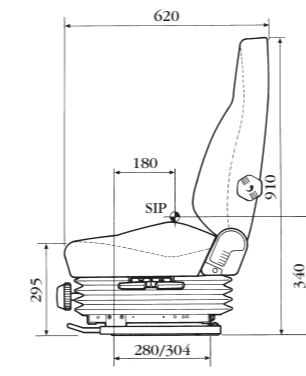
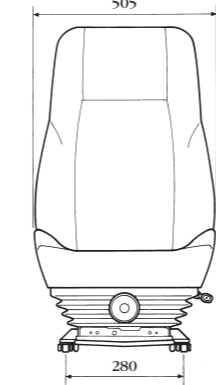
411



- FEATURES INCLUDE:**
- 5 position lumbar support
 - Backrest angle adjustment
 - Fore and aft adjustment 160mm
 - Manual adjustment for driver, weight from 50-120kg
 - 60mm seat height and tilt adjustment
 - 100mm vertical suspension stroke
 - Suspension cover
 - Moulded body contoured cushions

MECHANICAL

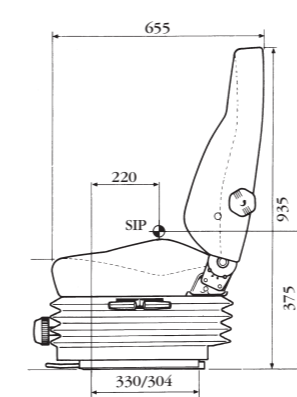
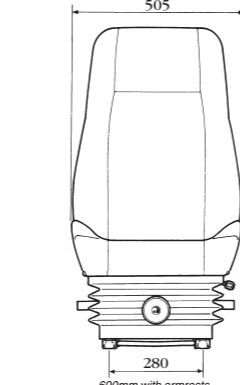
414



- FEATURES INCLUDE:**
- 5 position lumbar support
 - Backrest angle adjustment
 - Fore and aft adjustment 160mm
 - Manual adjustment for driver, weight from 50-120kg
 - 60mm seat height and tilt adjustment
 - 100mm vertical suspension stroke
 - Suspension cover
 - Moulded body contoured cushions

MECHANICAL

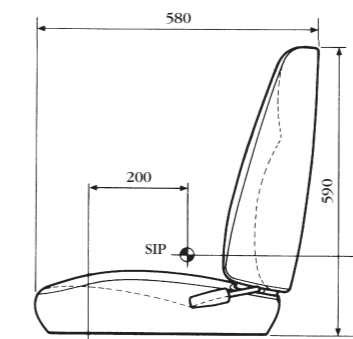
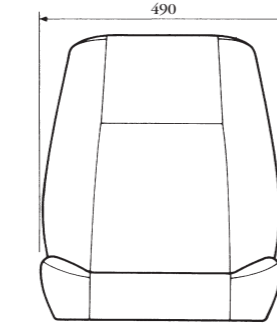
514/524



- FEATURES INCLUDE:**
- 5 position lumbar support
 - Backrest angle adjustment
 - Fore and aft adjustment 200mm
 - Manual adjustment for driver weight 514 50 - 120kg 524 80 - 150kg
 - 60mm seat height and tilt adjustment
 - 100mm vertical suspension stroke
 - Suspension cover
 - Moulded body contoured cushions

STATIC

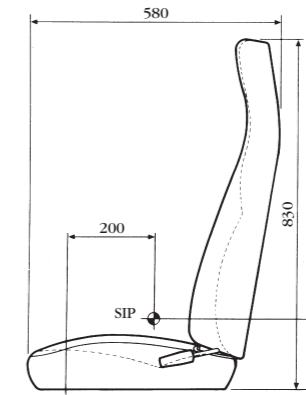
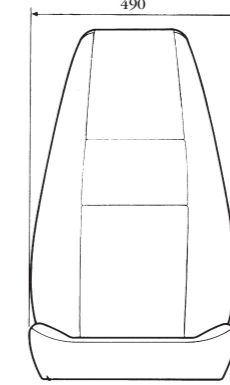
T1



- FEATURES INCLUDE:**
- 5 position lumbar support
 - Backrest angle adjustment
 - Optional adjustable headrest
 - Optional adjustable armrests
 - Quality fabric or PVC trims
 - Moulded body contoured cushions

STATIC

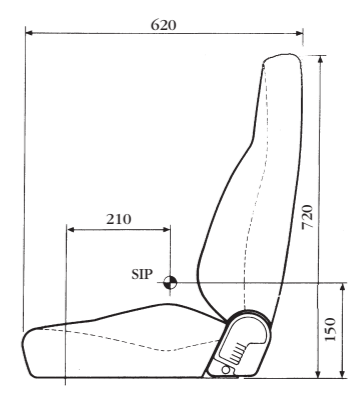
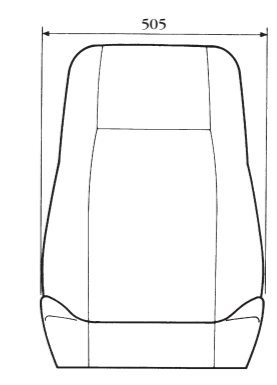
T3



- FEATURES INCLUDE:**
- 5 position lumbar support
 - Backrest angle adjustment
 - Optional adjustable headrests
 - Optional adjustable armrests
 - Quality fabric or PVC trims
 - Moulded body contoured cushions

STATIC

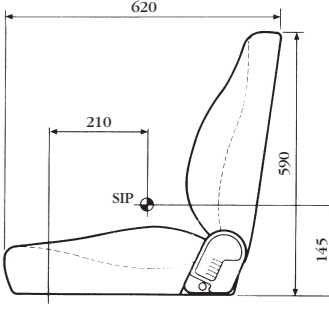
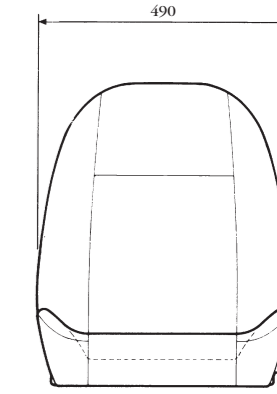
T4



- FEATURES INCLUDE:**
- 5 position lumbar support
 - Backrest angle adjustment
 - Optional adjustable headrests
 - Optional adjustable armrests
 - Quality fabric or PVC trims
 - Moulded body contoured cushions

STATIC

T5



- FEATURES INCLUDE:**
- 5 position lumbar support
 - Optional adjustable headrest
 - Optional adjustable armrests
 - Quality fabric or PVC trims
 - Moulded body contoured cushions